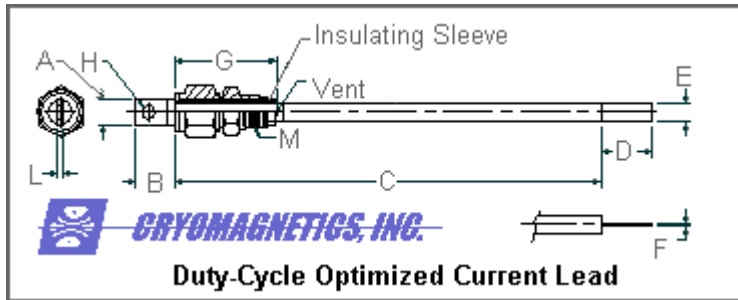


Duty-Cycle Optimized Current Leads << Available Models >>



Available Models

| Model | B50 | B75 | B100 | B125 | B150 | B200 |
|-------------------------------|---------|---------|---------|---------|---------|--------|
| Current (amperes) | 50 | 75 | 100 | 125 | 150 | 200 |
| Dimensions (inches) | | | | | | |
| A | 0.500 | 0.500 | 0.500 | 0.625 | 0.750 | 1.000 |
| B | 0.625 | 0.625 | 0.625 | 0.625 | 0.625 | 0.625 |
| C | 20.000 | 20.000 | 20.000 | 20.000 | 20.000 | 20.000 |
| D | 1.000 | 1.000 | 1.000 | 1.000 | 1.000 | 1.000 |
| E | 0.250 | 0.312 | 0.375 | 0.437 | 0.625 | 0.750 |
| F | 0.063 | 0.063 | 0.063 | 0.063 | 0.063 | 0.125 |
| G | 1.750 | 2.125 | 2.125 | 2.125 | 2.250 | 2.750 |
| H | 0.257 | 0.257 | 0.257 | 0.257 | 0.257 | 0.257 |
| L | 0.130 | 0.130 | 0.130 | 0.130 | 0.130 | 0.190 |
| M | 1/4 NPT | 3/8 NPT | 3/8 NPT | 3/8 NPT | 3/4 NPT | 1 NPT |